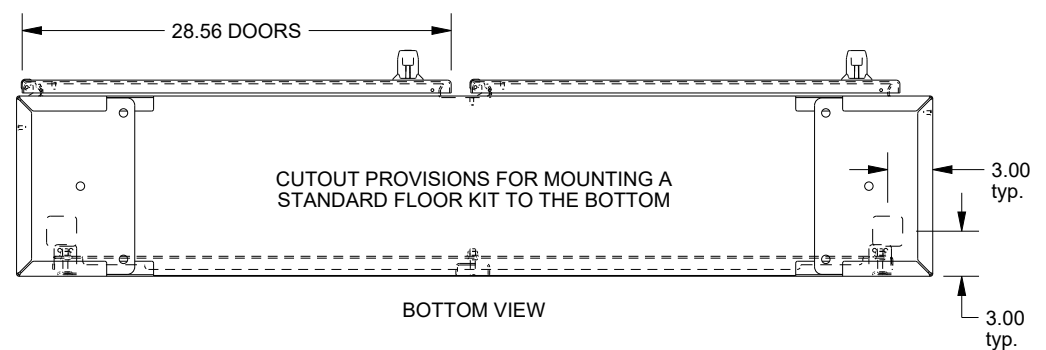
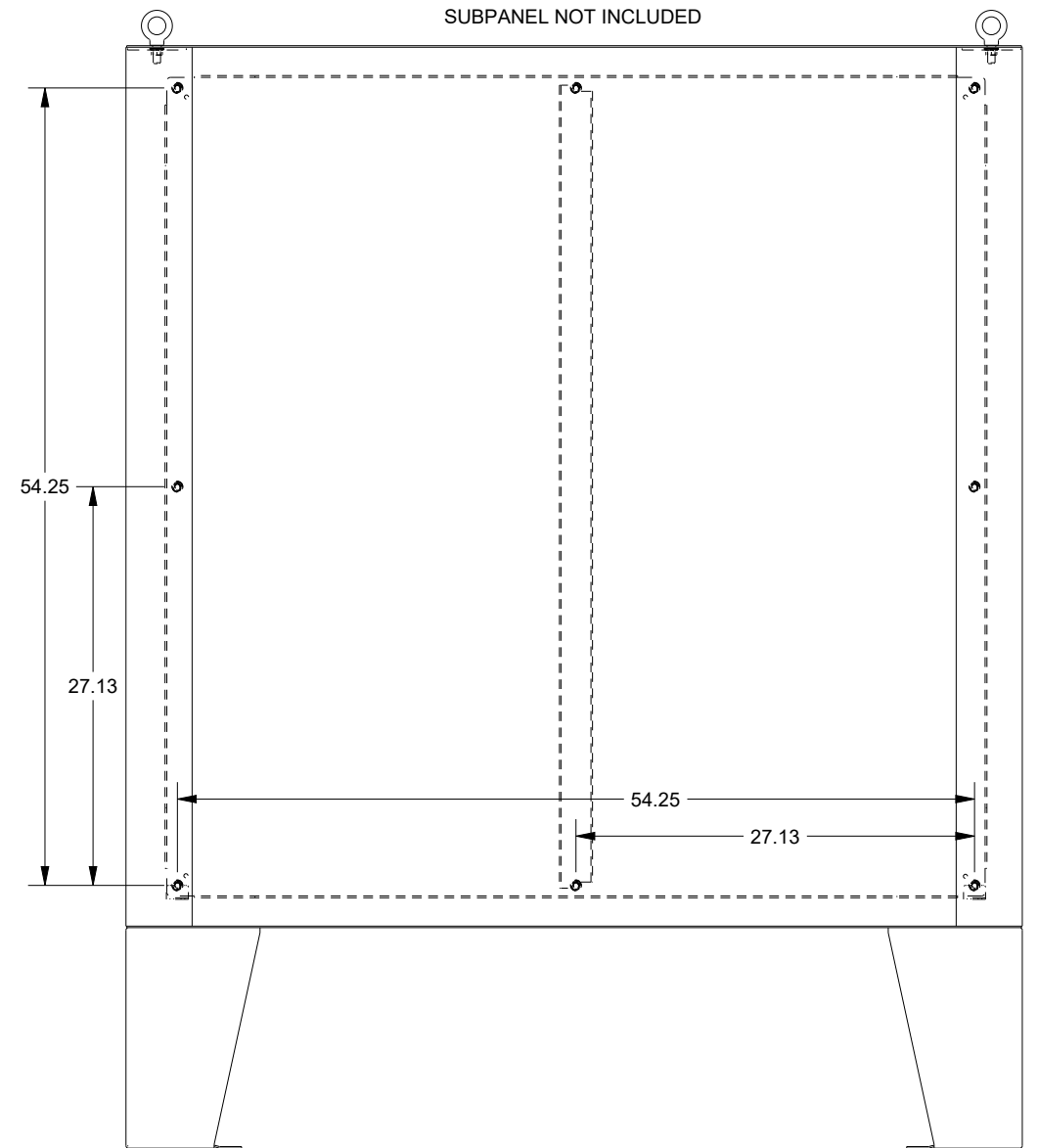
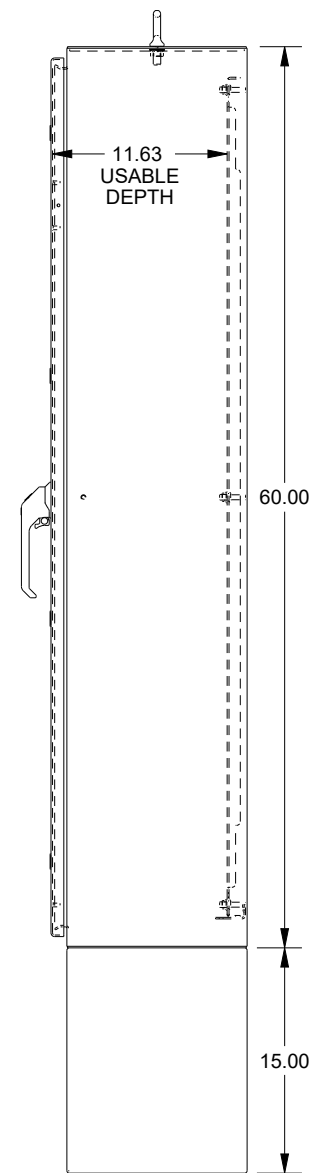
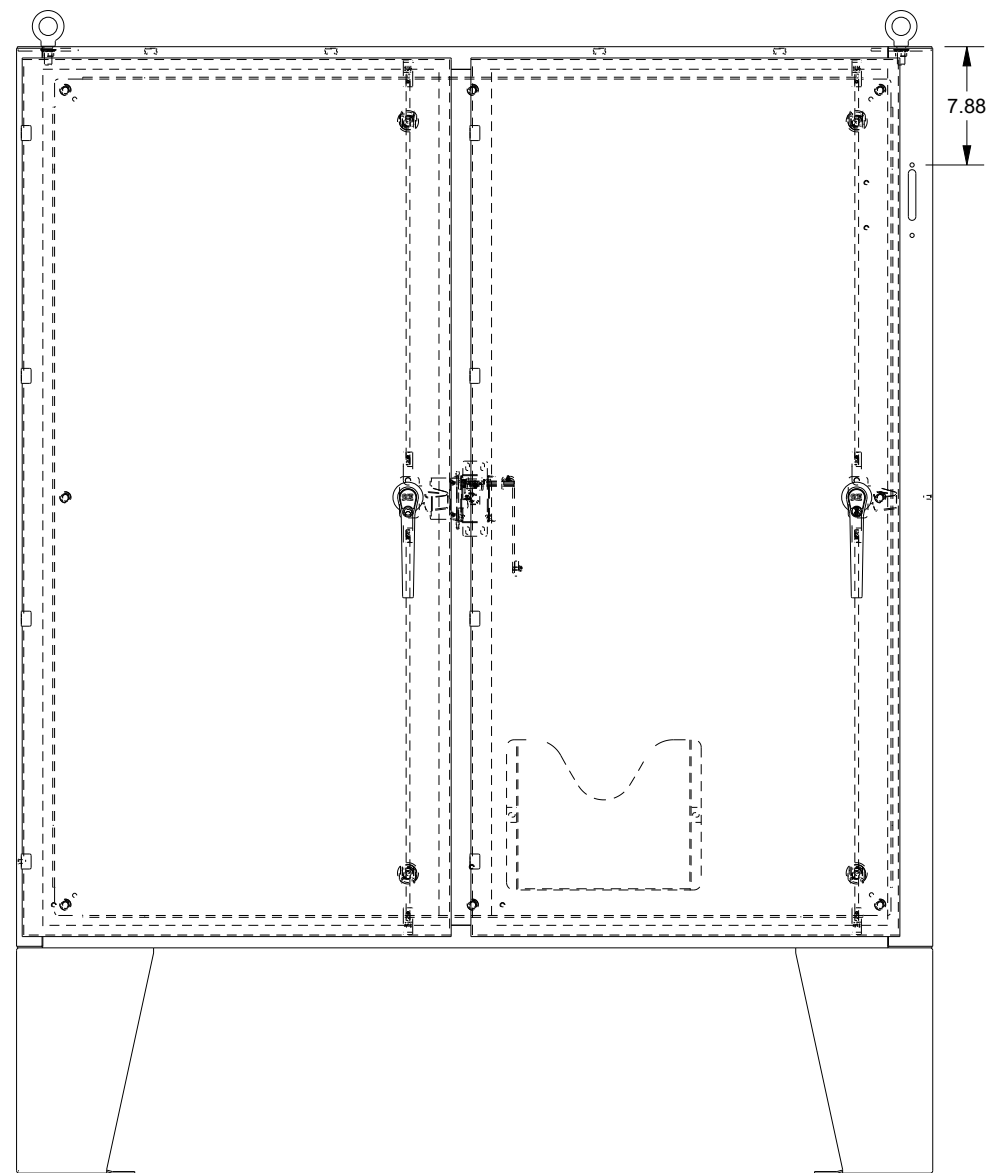
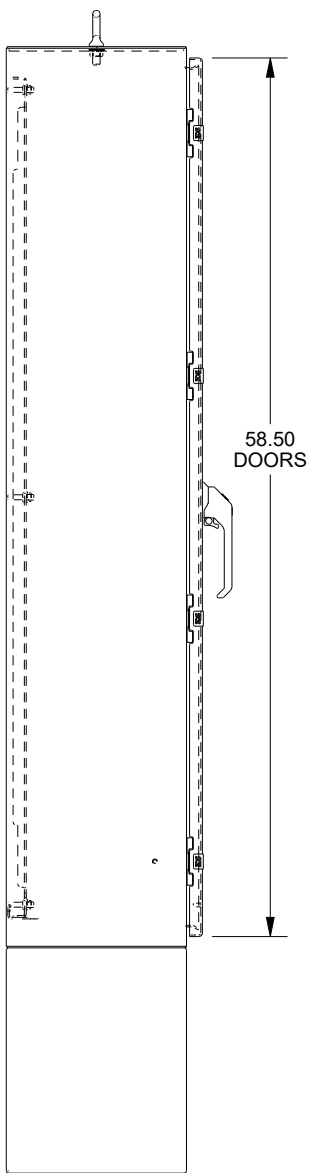
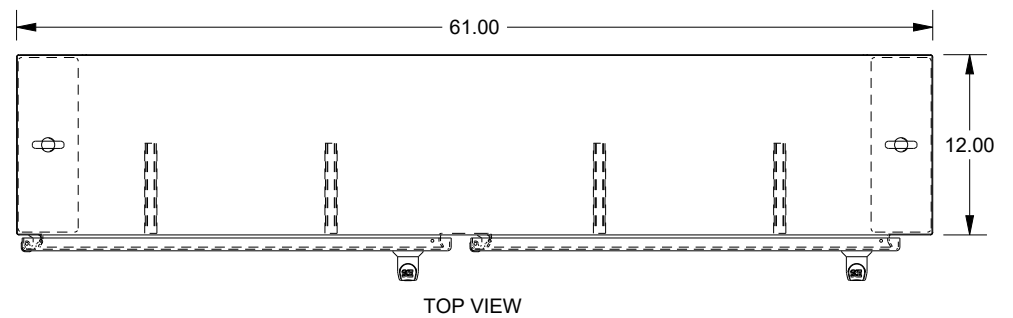


SAGINAW CONTROL & ENGINEERING

SCE-60XEL6112LP



WASH SYSTEM 2" SQUARE DRAIN HOLES IN THE
BOTTOM WITH UL APPROVED HOLE SEALS PROVIDED